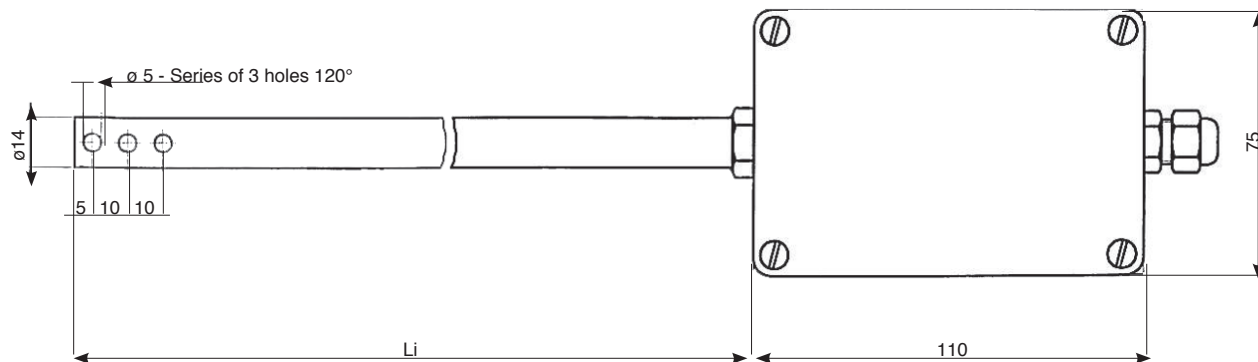


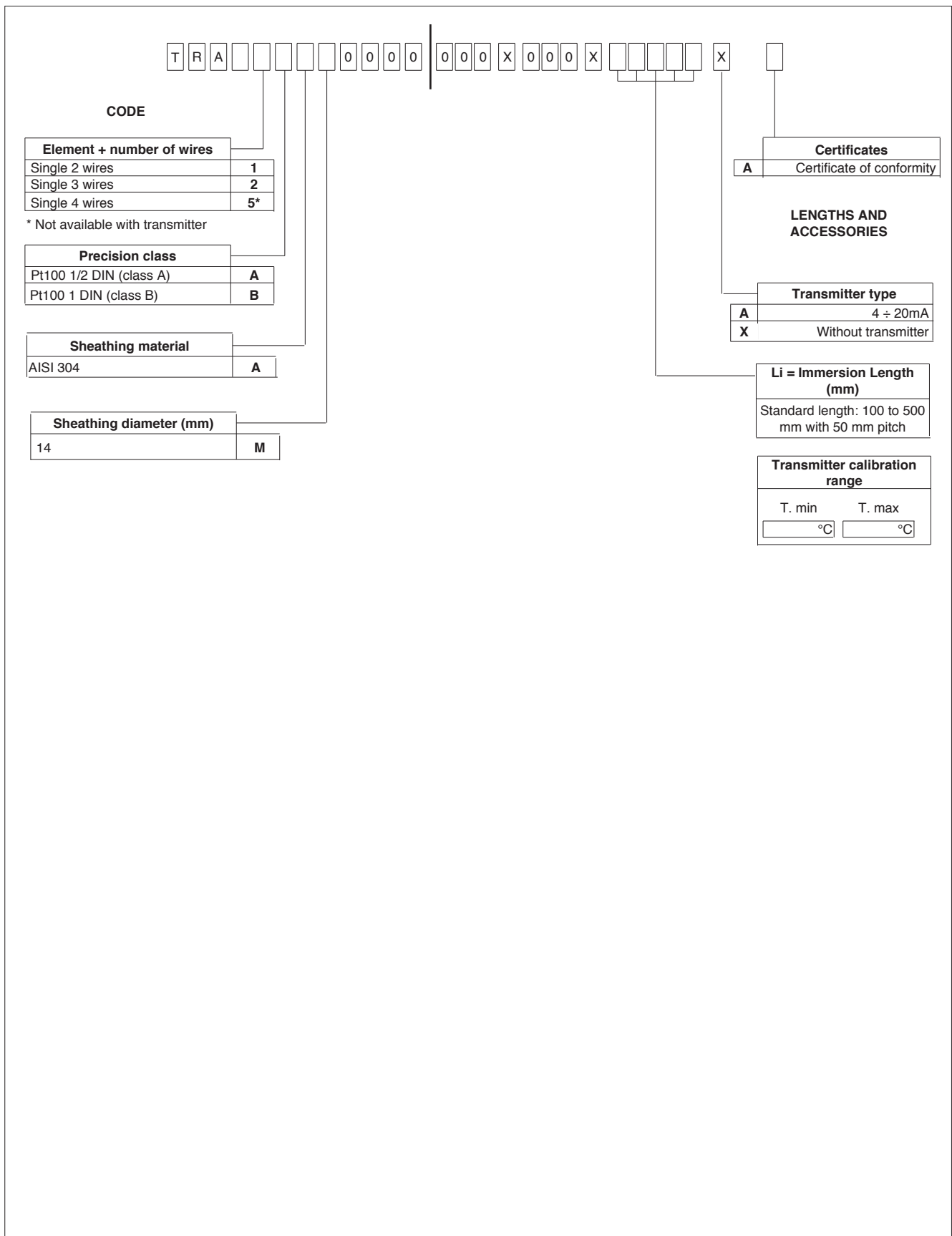
Main characteristics

- Max. temperature limit:
- 40 ... + 90° C
- Reference tolerances:
UNI standards: Norme UNI 7937, IEC 751:
± 0,15°C a 0°C per 1/2 DIN (class A)
± 0,30°C a 0°C per 1 DIN (class B)
± 0,10°C a 0°C per 1/3 DIN
- Sensitive element with ceramic isolators Pt100 at 0°C
- Fiberglass-reinforced polyester case, dimensions:
56x75x110mm

MODELS



ORDER CODE



GEFRAN spa reserves the right to make any kind of design or functional modification at any moment without prior notice